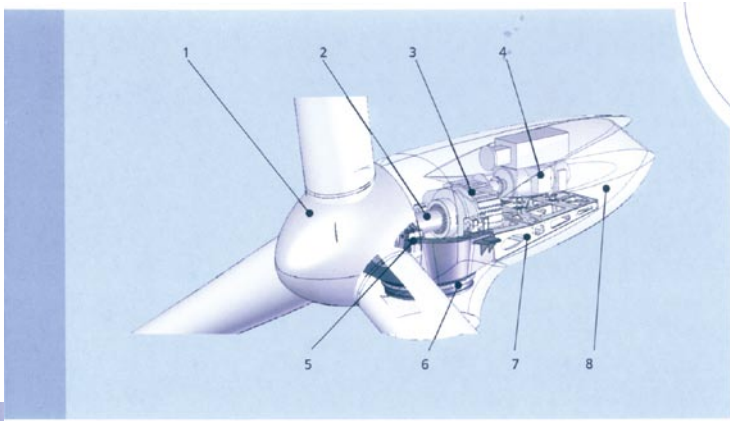


SEG-2000

SEG-2000, which is a three-blade upwind turbine with pitch control and horizontal axis, has a rated power of 2000kW and can be supplied with different rotor diameters and hub heights to suit the particular site conditions and planning requirements.

Cold climate design, typhoon-resistant design and sand protection design guarantee SEG-2000's availability in most parts of China. Blade suitable to Chinese wind characteristics has excellent efficiency.

The outstanding features of SEG-2000 are effective utilization of available wind, quiet operation, good grid compatibility, longevity and attractive design. The turbine operates with variable rotor speed and is capable of producing electric power efficiently at low wind speeds, and utilizing the energy of gust without overloading the grid or turbine components. The combination of a double-fed induction generator with a state-of-art IGBT converter isolates grid voltage and frequency from the generator speed thus enabling connection of turbines to any power networks.



- 1 Rotor Hub
- 2 Rotor Shaft
- 3 Gearbox
- 4 Generator
- 5 Main Bearing
- 6 Yaw Bearing
- 7 Main Frame
- 8 Nacelle Housing



General Technical Data

Item	Unit	Value	
Type		SEG-2000	
Rated Power	KW	2000	
Wind Zone		IEC II A+	IEC III A
Rotor Diameter	M	87	93
Hub Height	M	80	90
Cut-in Wind Speed	m/s	3	3
Nominal Wind Speed	M/s	11.4	10.8
Cut-out Wind Speed	M/s	25	25
Survival Wind Speed	M/s	70	52.5
Rated Speed of Rotor	1/min	15.35	
Rotational Range	1/min	8.33-16.5	
Speed Control		Pitch Control	
Gearbox			
Type		One planetary stage, two parallelstage	
Transmission Ration		1:118	
Generator			
Type		Double-fed induction Generator	
Nominal Voltage	V	690	
Grid Frequency	Hz	50	
Brake System			
Main brake		Electric pitch system	
Parking Brake		Disk Brake	
Weight			
Nacelle	ton	80	
Rotor	ton	43.27	43.24
Tower	ton	197	220

SUNNYSpain ENERGY GROUP

Add: C/L' horta No 6 46940 Manises Valencia Spain
 Tel: 0034-96 153 64 02 Fax: 0034-96 153 64 08
www.sunnyspain.com.es / sunnyspain@sunnyspain.com.es